

Vernis Shape

Single lever basin mixer 100 without waste set

Surfaces: **Matt Black** Article Number: **71569670**



Description

product features

- ComfortZone 100
- projection 110 mm
- spray type: normal spray
- maximum flow rate at 3 bar: 5 l/min
- ceramic cartridge
- temperature limitation adjustable
- with isolated water conduction - without contact with nickel and lead
- suitable for continuous flow water heaters
- connection type: G 3/8 connections
- connection dimension: DN15

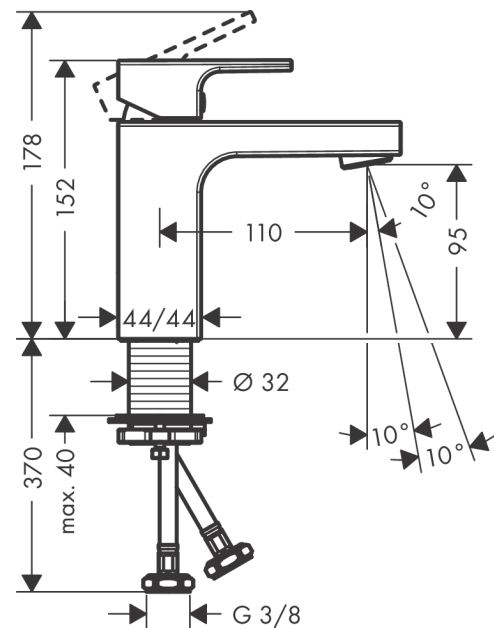
Technology



Product image



Scale drawing



Flowchart

